



# MADIGRAF

Importadora de materiales de publicidad.

Av. del Tejar & Camino a Racar Esquina [✉ madigraf.import@hotmail.com](mailto:madigraf.import@hotmail.com)

[\(+593\) 98 712 2221](tel:+593987122221)

[\(+593\) 98 318 4646](tel:+593983184646)

[\(07\) 2 404 3944](tel:+59324043944)

[f Madigrafimport](https://www.facebook.com/Madigrafimport)

[@Madigraf.import](https://www.instagram.com/Madigraf.import)

[www.madigraf.com](http://www.madigraf.com)



Model: JLV-12150KA-C Size: 242\*71\*45mm



## Brief Information

**Powermax™**  
Technology Inside

# 150W

## Waterproof Power Supply (C.V.)

Model JLV-12150KA-C / JLV-24150KA-C

Input 170~250V AC

Output 12VDC 12.5A 150W / 24VDC 6.25A 150W

## Product Features

- Compact size, easy for installation
- High transfer efficiency
- Wide input range
- Stable constant voltage output
- IP67, both indoor & outdoor use suitable
- 100% full loading, 100% burn-in tested
- Overload/short circuit protection

## MAIN ELECTRICAL DATA

### AC Input

Input Voltage	170~250V
Input Frequency	50/60Hz
Efficiency (Typ.)	87%
Input Current	230V: 1.25A max.
Inrush Current	40A
Leakage Current	5mA/230VAC

### DC Output

Output Voltage	12V	24V
Rated Current	12.5A	6.25A
Rated Power	150W	150W
Ripple & Noise (Max.)	<100mVp-p	<100mVp-p
Setup, Rise Time	1500ms/230VAC	1500ms/230VAC
Line Regulation	1%	1%
Load Regulation	1%	1%

## Service Environment

Working Temp.	-30°C~50°C
Working Humidity	20~95%RH
Storage Temp.	-40°C~80°C
Storage Humidity	10~95%RH

## Protection

Overload	Yes, cut-off mode, output shuts down if over-loaded
Short Circuit	Yes, hiccup mode, recovers automatically after fault condition is removed

## Safety

Safety Standard	EN 61347-2-13
Withstand Voltage	I/P-O/P: 3750VAC/1min/<5mA
Isolation Resistance	I/P-O/P: >100M Ohms / 500VDC /25°C / 70%RH

## Packaging Information

Product Dimension	242*71*45mm
Products Net Weight	1200G
PCS/Carton(QTY)	10 PCS
Master Carton Size	28*26*20cm
G. Weight/ Carton	13KG

### Installation Tips:

- Please identify the power supply's input and output before installation.
- Ensure correct output + & - wire connection.
- Power on after wire connection is done.
- To avoid voltage drop and loading capacity wasting on the output extension wire, please install the power supply to the loading as near as possible, if must use long extension wires, thicker wires and less loading wattage is required.
- The power supply to be installed at good ventilation and cooling environment.



Av. del Tejar & Camino a Racar Esquina ✉ madigraf.import@hotmail.com

(+593) 98 712 2221

(+593) 98 318 4646

(07) 2 404 3944

Madigrafimport

@Madigraf.import

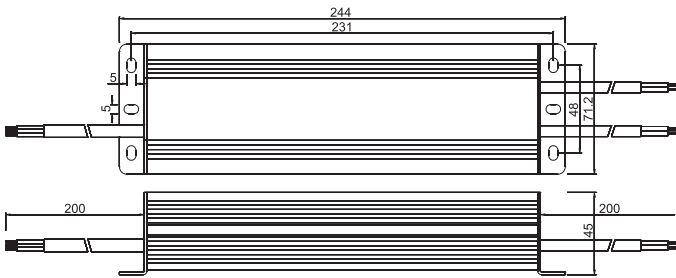
www.madigraf.com

# MADIGRAF

Importadora de materiales de publicidad.

## Physical Drawing

Unit: mm



### Brief Information

**Powermax™**  
Technology Inside

# 150W

### Waterproof Power Supply (C.V.)

Model JLV-12150KA-C / JLV-24150KA-C

Input 170~250V AC

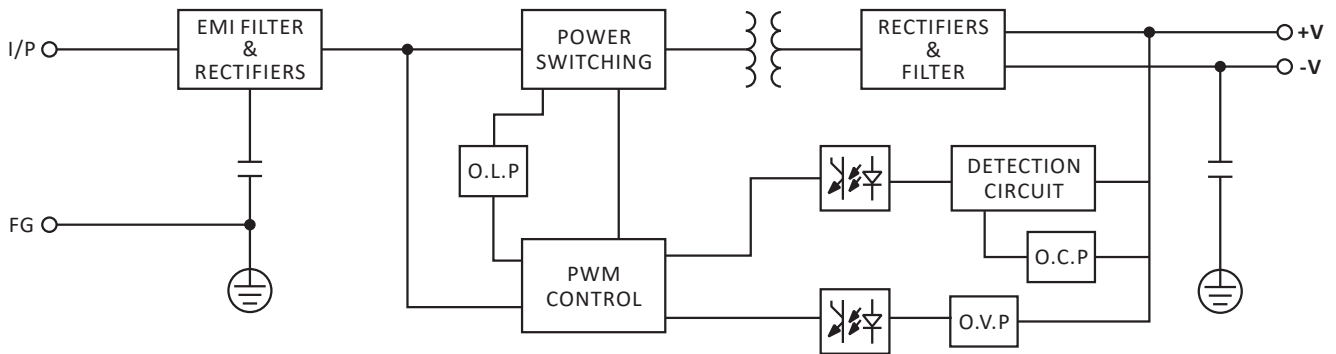
Output 12VDC 12.5A 150W / 24VDC 6.25A 150W

Input: 3x1.0mm<sup>2</sup> wire, Brown L, Blue N  
200mm length

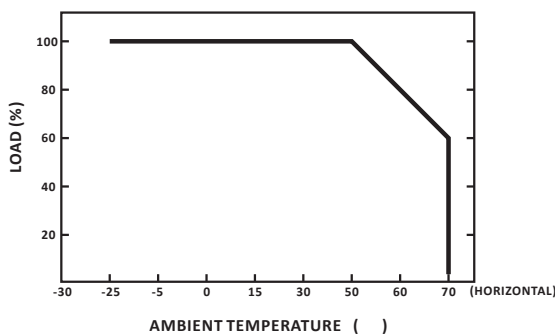
Output: 2x0.75mm<sup>2</sup> wire, Red +, Black -  
200mm length

Housing: Aluminium

## Block Diagram



## Derating Curve



## Static Characteristics

